



## insoft Locator Node 1400

insoft Locator Nodes 1400 can receive Wi-Fi and Bluetooth Low Energy (BLE) signals from mobile transmitters. This enables positioning of Wi-Fi tags and beacons which can be attached to objects or carried by people, as well as the localization of Bluetooth or Wi-Fi capable mobile devices. The gateway function allows communication between different device types and the cloud and enables, for example, bidirectional information exchange between insoft Locator Nodes 1400 and Bluetooth transmitters such as the insoft E-Ink Display Beacons.

### Features:

#### Dimensions:

- Ø 150mm, height: 36mm

#### Weight:

- 180g

#### Connections:

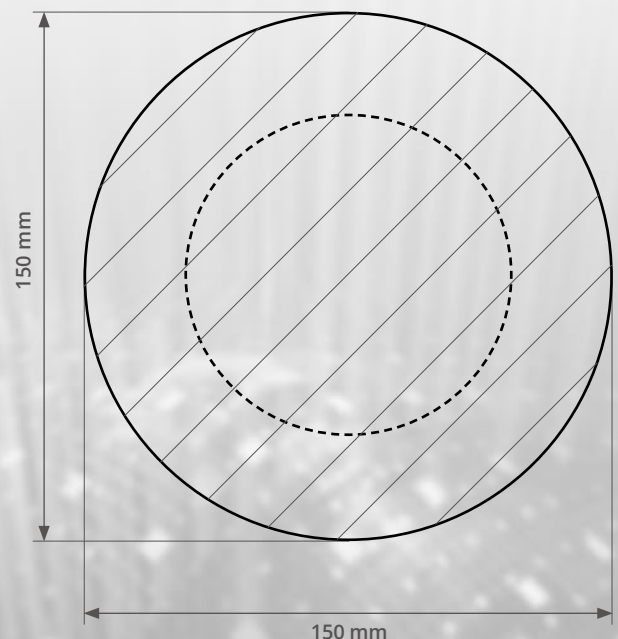
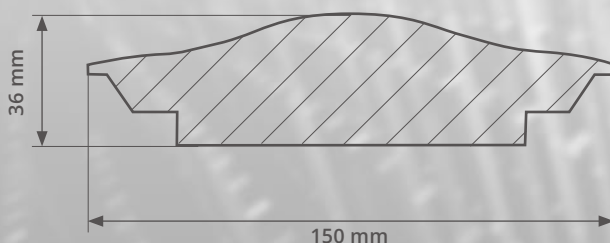
- power supply: 802.3af/at PoE or 5V 1A DC Adapter
- WLAN 802.11 b/g/n, 2.4GHz
- 10/100M RJ45 network port
- two USB ports, one TF card slot

#### Sensors:

- Wi-Fi, Bluetooth Low Energy (BLE) 4 / 5

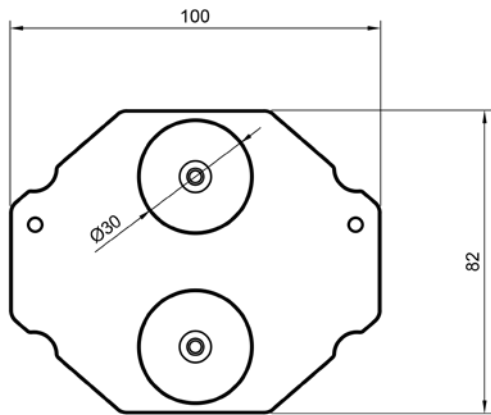
#### Price:

- 130 €



## Installation:

insoft Locator Nodes 1400 can be mounted on a ceiling or wall. The flexible mounting solution (sold separately) is magnetic.



## Frontpanel-Layout:



## Imprint

© insoft GmbH 2020. This content is protected by copyright. All rights to content and design are with insoft GmbH. You may not copy, republish, modify or transfer this work without prior written and agreed consent of insoft. Our content is regularly edited and carefully checked. However, we do not accept any liability with respect to the correctness, completeness and current status of the information offered here. All mandatory legal details can be found under: [www.insoft.com/company/contact](http://www.insoft.com/company/contact)



**insoft GmbH**  
Junkers-Ring 10A  
85098 Großmehring  
Germany

**Contact**  
Phone +49 8407 939 680 0  
Fax +49 8407 939 680 12  
[contact@insoft.com](mailto:contact@insoft.com)  
[www.insoft.com](http://www.insoft.com)