



## insoft Locator Node AoA 1200

The insoft Locator Node AoA 1200 is used to determine the angle of signal incidence in the 2.4 GHz band (through Angle of Arrival technology) and comes with a signal amplifier in this frequency band. It is an extended version of the insoft Locator Node, a compact hardware component including Wi-Fi, Bluetooth Low Energy (BLE) and Ultra-wideband (UWB) radio interfaces.

### Features:

#### Dimensions:

- approx. 175 mm x 175 mm x 50 mm (LxWxH)

#### Connections:

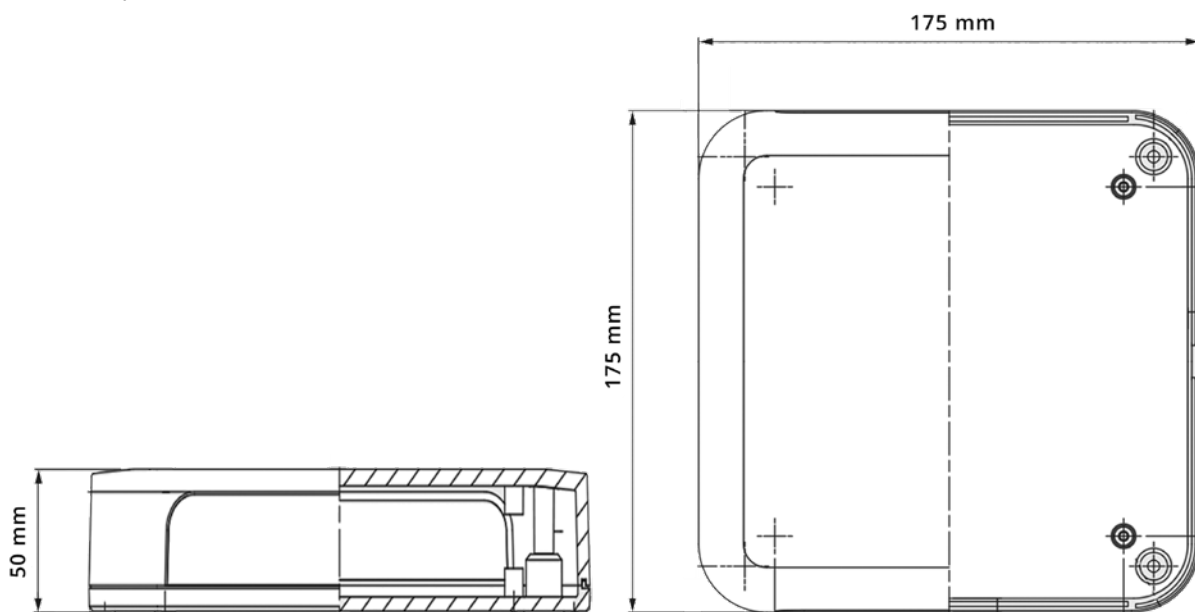
- Wi-Fi 802.11 a/b/g/n, 2.4 GHz / 5 GHz
- external RJ45 connection (Ethernet, 10/100 Base-T, PoE support))
- external Mini USB connection (terminal, 5 V power)
- internal USB-A connection

#### Sensors:

- Wi-Fi, Bluetooth Low Energy (BLE), Ultra-wideband (UWB)
- 360° array antenna, Angle of Arrival measurement in the 2.4 GHz band
- built-in signal amplifier
- RFID (optional/external), GPS (optional/external)

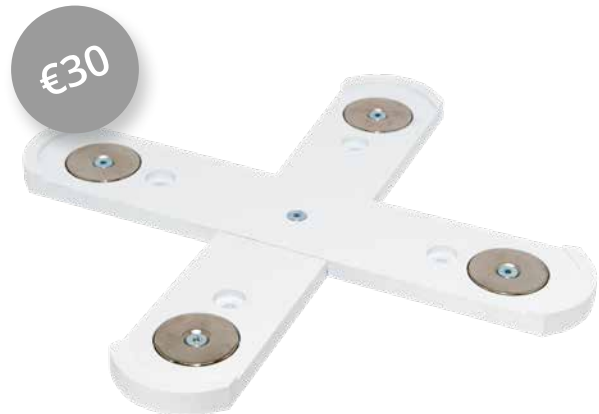
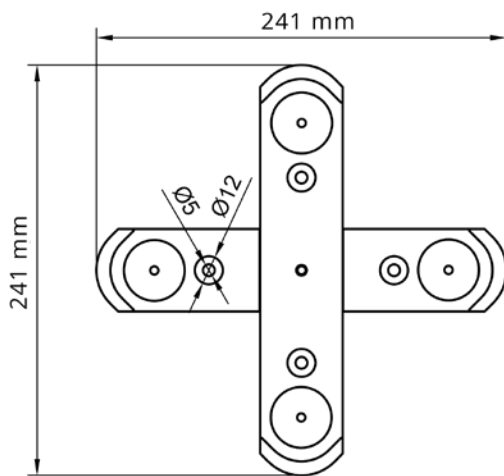
#### Price:

- unit price €250



## Installation:

insoft Locator Nodes AoA 1200 can be mounted on a ceiling. The flexible mounting solution (sold separately) is magnetic and additionally has 4 boreholes with a diameter of 5 mm each.



## Impressum

© insoft GmbH 2021. This content is protected by copyright. All rights to content and design are with insoft GmbH. You may not copy, republish, modify or transfer this work without prior written and agreed consent of insoft. Our content is regularly edited and carefully checked. However, we do not accept any liability with respect to the correctness, completeness and current status of the information offered here. All mandatory legal details can be found under: [www.insoft.com/company/contact](http://www.insoft.com/company/contact)



**Herausgeber**  
insoft GmbH  
Junkers-Ring 10A  
85098 Großmehring  
Deutschland

**Kontakt**  
Telefon +49 8407 939 680 0  
Telefax +49 8407 939 680 12  
[contact@insoft.com](mailto:contact@insoft.com)  
[www.insoft.de](http://www.insoft.de)